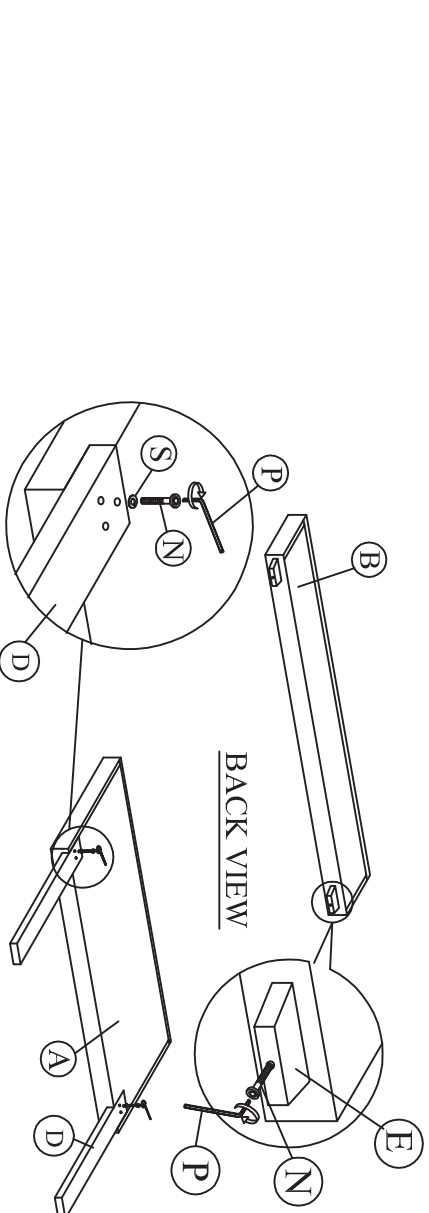


Model : OCEAN BED

# Assembly Instruction

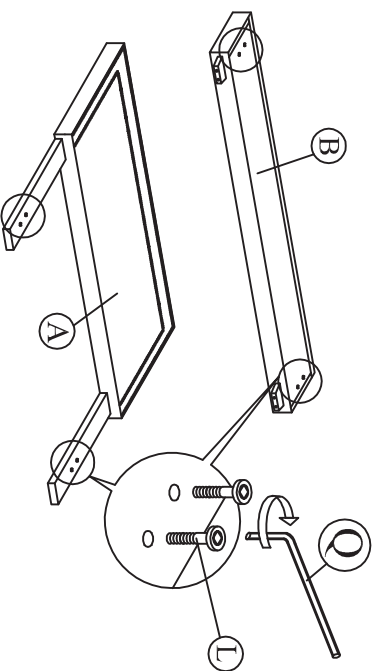
Step 1 : Fix the headboard and footboard with legs as shown.

A		1pc
B		1pc
C		4pcs
D		2pcs
E		2pcs
F		2pcs
G		2pcs
H		2 pcs
I		1 pc
J		4pcs
K		1pc
L		8pcs
M		8 pcs
N		9 pcs
O		4 pcs
P		1pc
Q		1pc
R		26pcs
S		6pcs
T		8pcs
U		5pcs

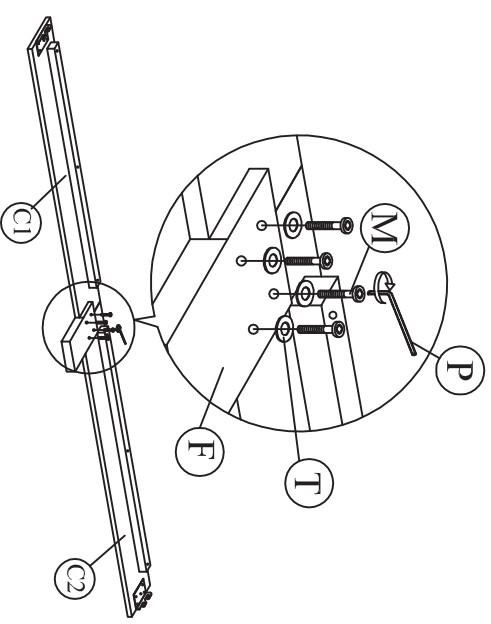


Step 2 : Attach the JCBB Bolt (L) to the headboard and footboard .

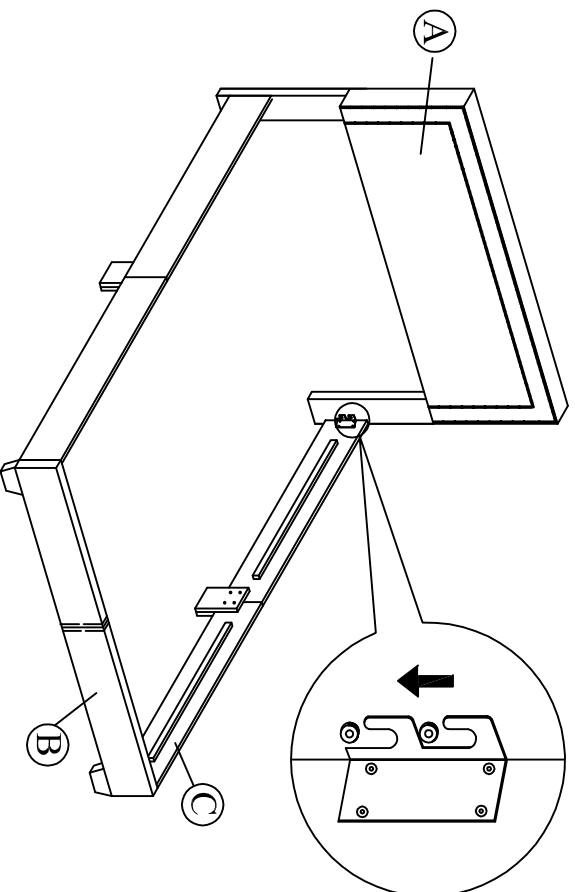
Step 3 : Attach the side rail leg (F) to the side rail (C) .



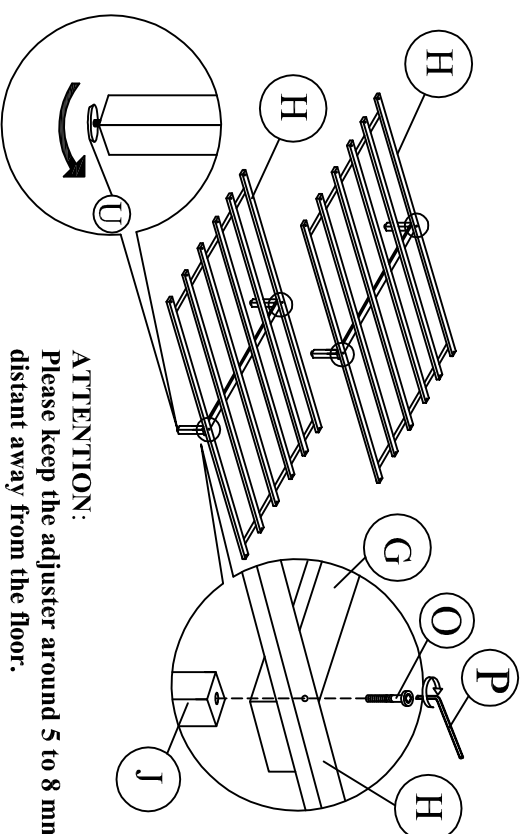
FRONT VIEW



Step 4 : Attach side rail (C) to headboard (A) and footboard (B) by pushing the bracket down to fit it.

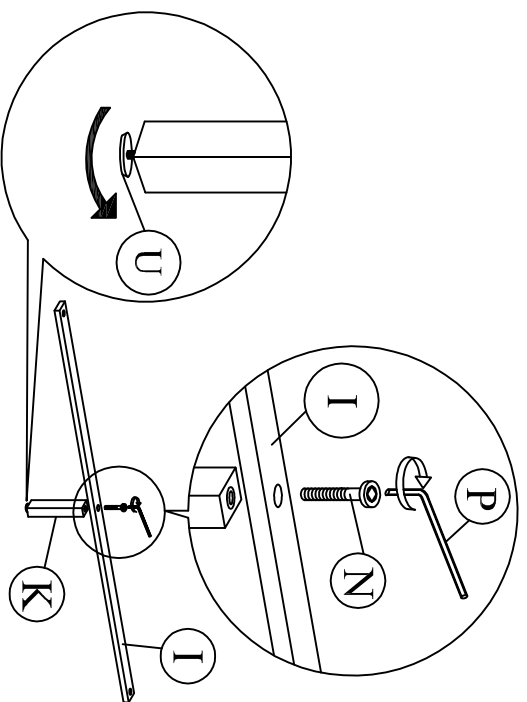


Step 5 : Attach the support legs (J) to the slats (H) and center rail (G).



**ATTENTION:**  
Please keep the adjuster around 5 to 8 mm distant away from the floor.

Step 6 : Attach the big support legs (K) to the slats (I).



Step 7 : Tighten the 4 Corner with Allen Key (Q). Install the bed slats to side rail. Tighten the slats with CSK screw. The distance of the slats should be sufficient to obtain desirable bed stability.

