

# OCEAN PLATFORM BED

ASSEMBLY INSTRUCTION

16650-Q

Seller and Manufacturer disclaim all and any liability for property damage, personal injury, or loss, direct, indirect, or incidental, resulting from the incorrect assembly, inadequate maintenance, improper use, or neglect of this product.

## ! NOTICE

- Keep these assembly instructions for future reference.
- Do not use this product if there are missing parts, damaged, or broken until repairs are made and/or factory replacement parts are installed.
- Check all packing material carefully for small hardware that may have become loose inside the carton during shipment.
- Identify and count all hardware and parts to compare with parts and hardware list.
- Follow assembly instructions closely. Improper assembly can result in personal or property damage.
- Secure all bolts and screws before use.
- Every 90 days check all bolts and screws are secured.
- Some parts may have sharp corner or edges and may be heavy.
- Do not use or store this product near open flames or around flammable chemicals.
- When placing contents on non-carpeted flooring, it's recommended to use floor protection such as an area rug or furniture pads. These are not included with the purchase.

## REPLACEMENT PART OR HARDWARE REQUEST:

- Request a replacement by logging into the marketplace account in which the purchase was made and sending a message to the seller. To assist in expediting the request attach applicable images relevant to the request and/or part number and quantity.

## TOOLS REQUIRED:



ALLEN WRENCH  
(PROVIDED)



PHILLIPS SCREWDRIVER  
(NOT PROVIDED)

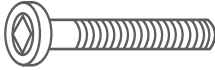
# HARDWARE

L



M8 x 20  
8 PCS

M



M6 x 30  
8 PCS

N



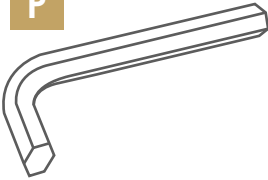
M6 x 50  
9 PCS

O



M6 x 60  
4 PCS

P



ALLEN KEY 100MM  
1 PC

Q



ALLEN KEY 70MM  
1 PC

R



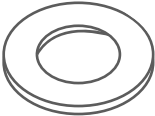
SCREW  
32MM  
26 PCS

S



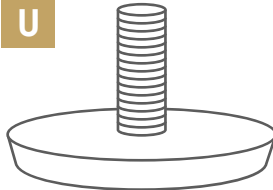
SPRING WASHER  
6 PCS

T



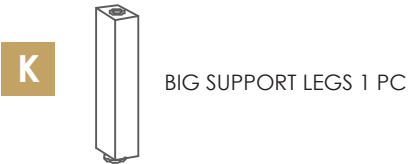
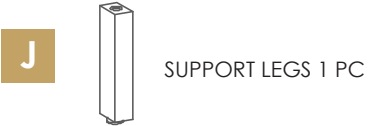
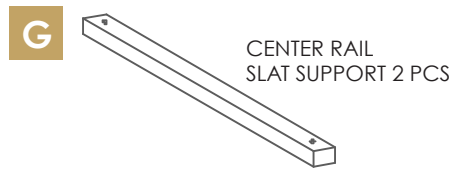
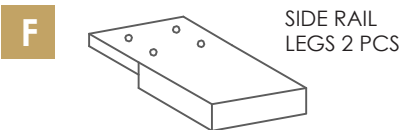
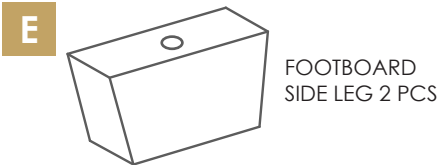
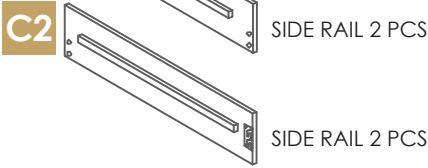
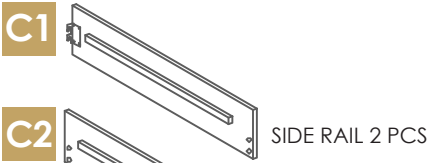
FLAT WASHER  
8 PCS

U



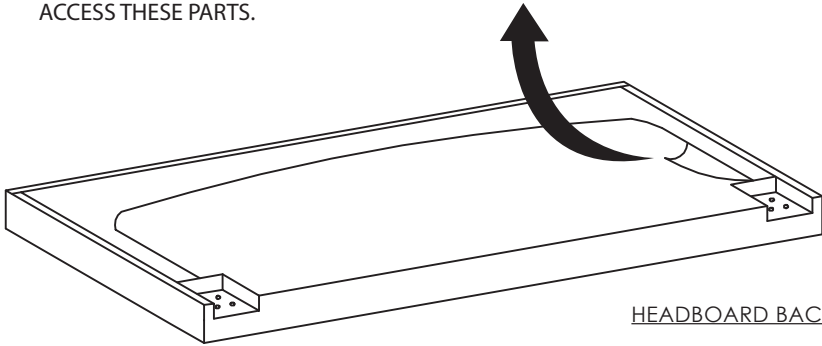
SUPPORT LEG ADJUSTER  
5 PCS

# OCEAN PLATFORM BED PARTS



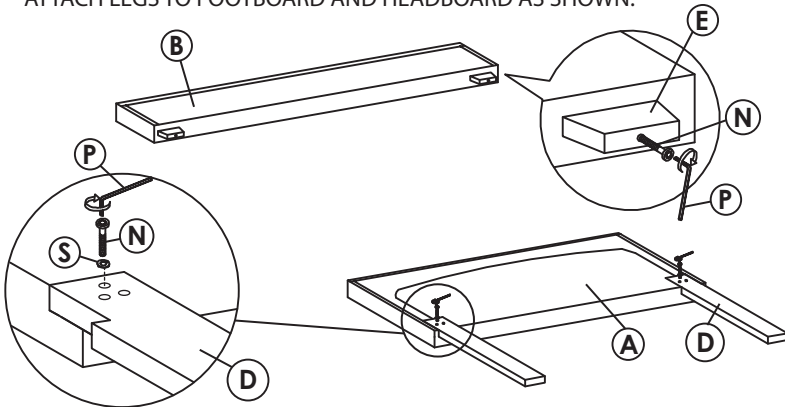
# ASSEMBLY INSTRUCTION

**STEP 1** COMPONENTS AND HARDWARE TO BUILD THE BED IS LOCATED IN THE HEADBOARD. UNZIP THE ZIPPER COMPARTMENT LOCATED AT THE BACK OF THE HEADBOARD TO ACCESS THESE PARTS.



HEADBOARD BACK VIEW

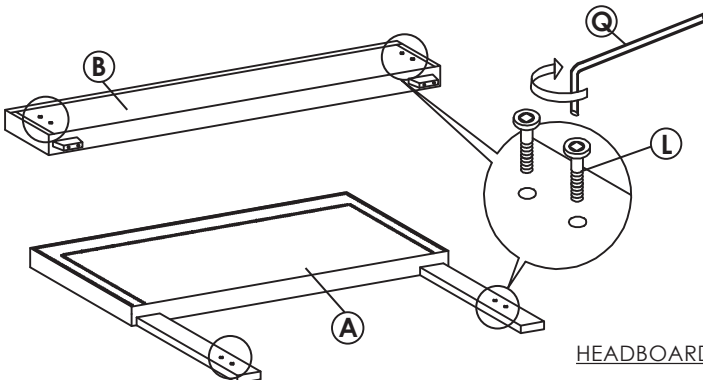
**STEP 2** ATTACH LEGS TO FOOTBOARD AND HEADBOARD AS SHOWN.



MATCH THE LABEL TO ENSURE THE HEADBOARD LEGS ARE INSTALLED ONTO THE CORRECT SIDE OF THE HEADBOARD

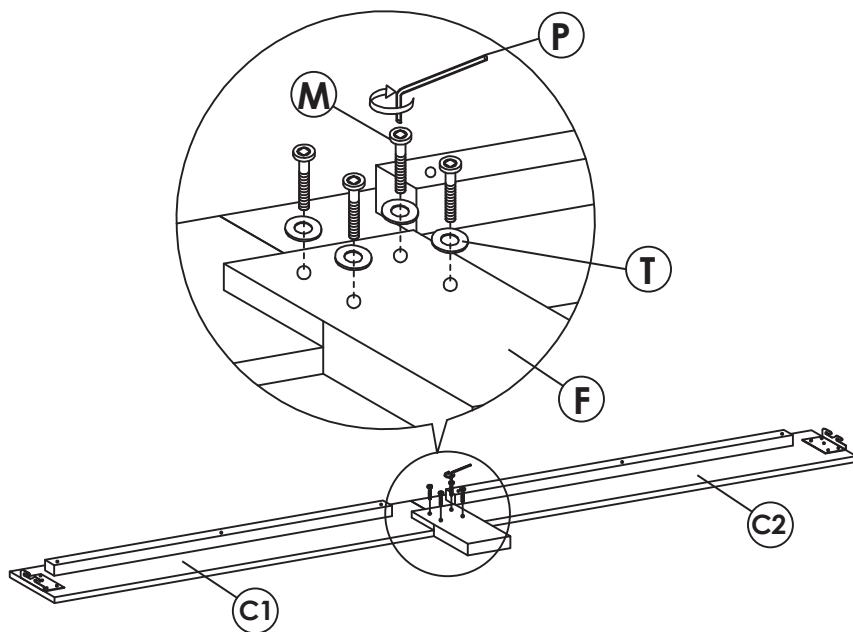
HEADBOARD BACK VIEW

**STEP 3** ATTACH PART L TO THE HEADBOARD AND FOOTBOARD BRACKETS AS SHOWN. DO NOT TIGHTEN COMPLETELY. THE SIDE RAILS WILL BE ATTACHED TO THESE TOWARDS THE END OF THE ASSEMBLY.

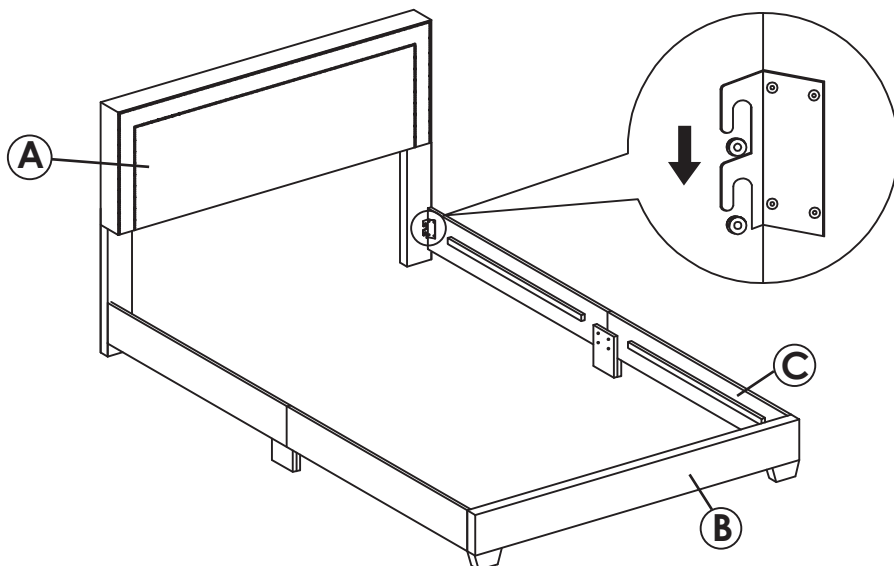


HEADBOARD FRONT VIEW

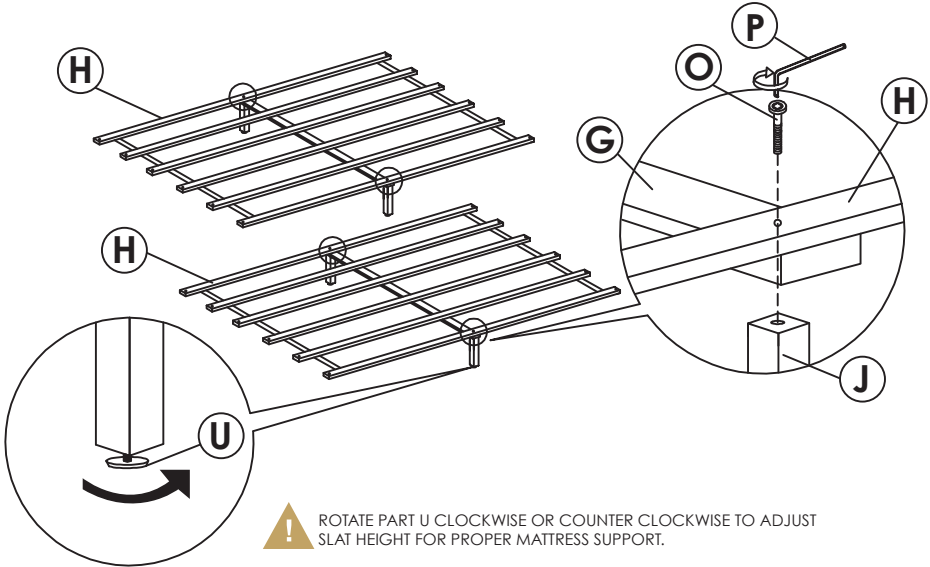
**STEP 4** ATTACH THE SIDE RAIL LEG (F) TO THE SIDE RAIL (C).



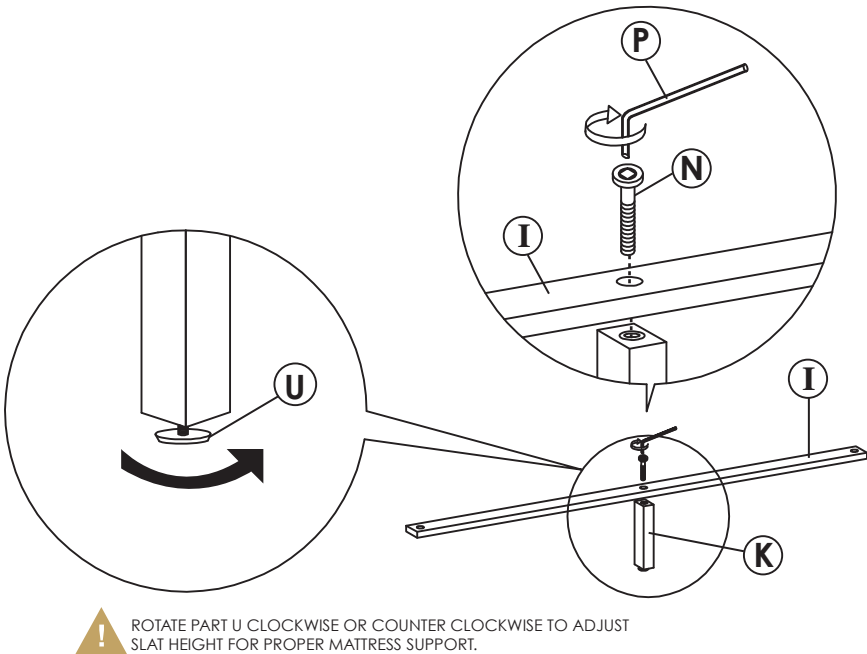
**STEP 5** ATTACH THE ASSEMBLED SIDE RAIL (C) TO THE HEADBOARD (A) AND FOOTBOARD (B) BY PUSHING THE BRACKETS DOWN TO FIT AND TIGHTEN ONCE BOTH SIDE RAIL ARE IN PLACE.



**STEP 6** ATTACH THE SUPPORT LEGS (J) TO THE SLATS (H) AND CENTER RAIL SLAT SUPPORT (G).



**STEP 7** ATTACH THE BIG SUPPORT LEGS (K) TO THE SLATS (I).



**STEP 8** TIGHTEN PART (L) FROM STEP 3 TO SECURE THE SIDERAIL TO THE HEADBOARD AND FOOTBOARD. ATTACH THE SLATS TO THE WOODEN SUPPORT ON THE SIDE RAIL WITH PART (R). ADJUST PART (U) FROM STEP 6 AND STEP 7 FOR PROPER MATTRESS SUPPORT.

